

三相蜗轮减速电机40W~90W Three-Phase Worm Gear Motor 40W~90W

90YS/90JW

允许转矩范围: 20N.m
Permissible Load Range: 20N.m

● 型号说明 Indications of The Model Number

90YS90-3F / JW □ G15

□中填写减速比的数值
□ Reduction Ratio

电动机的型号/减速器的型号

Motor Type/Gearbox Model

□中填写减速比的数值 □ Reduction Ratio

可选择电机性能: YS三相电机, 输出功率40W、60W、90W

可选择供电电源: 三相380V、220V

可选择附加功能: Z-机械阻尼(40W)、P-热保护器、T-调速电机、D-电磁刹车

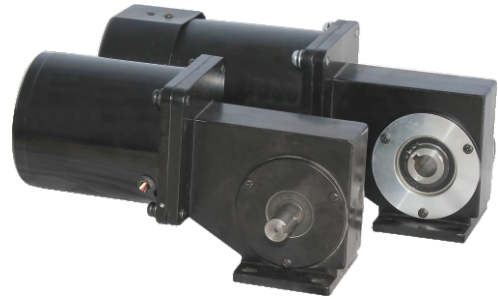
60W和90W电机标准制式带F-冷却风叶

Three-Phase AC Motor, Output Power 40W、60W or 90W

Voltage: 380V、220V

Optional Components: Z-Damper(40W)、P-Thermal Protector、T-Speed Motor、D-Brake

F-Cool Fan(Standard 60W and 90W motors)



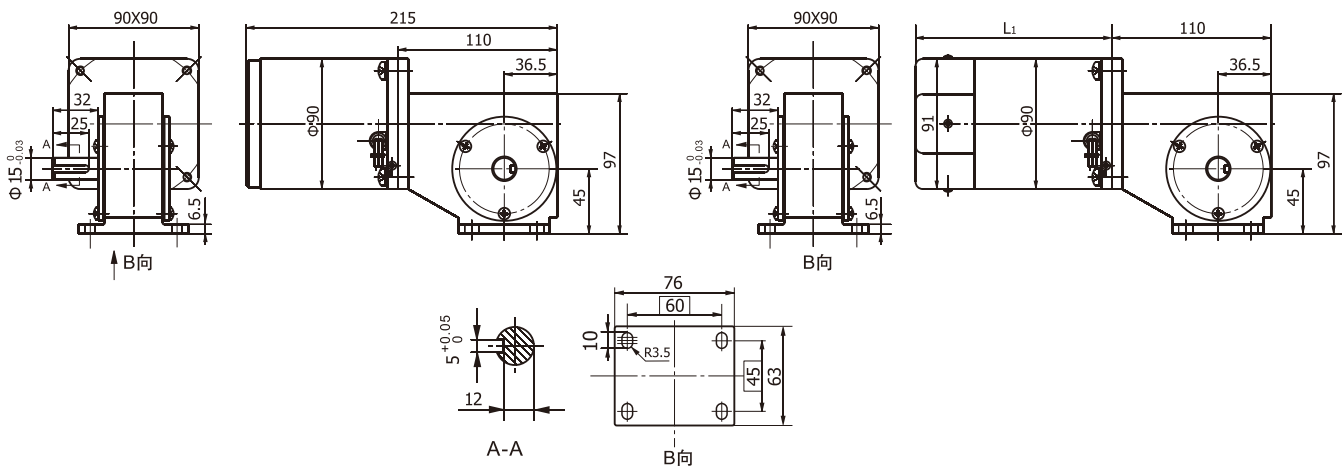
● 配置减速器后的额定转速、额定转矩 Specifications of Worm Gear Motors

电动机型号 TYPE	功率 Power W	减速比1:50 Reduction ratio 1:50		减速比1:40 Reduction ratio 1:40		减速比1:32 Reduction ratio 1:32		减速比1:25 Reduction ratio 1:25		减速比1:16 Reduction ratio 1:16		减速比1:12:5 Reduction ratio 1:12:5		重量 Weight (kg)
		额定转速 Rated speed r/min	额定转矩 Rated torque N.m	额定转速 Rated speed r/min	额定转矩 Rated torque N.m	额定转速 Rated speed r/min	额定转矩 Rated torque N.m	额定转速 Rated speed r/min	额定转矩 Rated torque N.m	额定转速 Rated speed r/min	额定转矩 Rated torque N.m	额定转速 Rated speed r/min	额定转矩 Rated torque N.m	
90YS40	40	26	5.2	32	4.7	40	3.8	52	3.0	81	2.5	104	1.8	3.5
90YS60	60	26	7.7	32	7.0	40	5.6	52	4.4	81	3.5	104	2.7	3.6
90YS90	90	26	10.5	32	10.5	40	8.5	52	6.6	81	5.0	104	4.0	4.6

● 外形尺寸 Dimensions

配40W电机外形图 (不配置冷却风扇)
40W External Drawing (without cool fan)

配60W、90W电机外形图 (配置冷却风扇)
60W、90W External Drawing (with cool fan)



说明: 产品出厂时左出轴是常规配置, 如要求右出轴需在订货时特别说明。配60W、90W电机的外形尺寸 (配置冷却风叶) 见下表。
Remarks: Standard products are left output shaft, right available upon request.

电动机型号 Type	L1 (mm)
90YS60-3F、90YS60-4F	123
90YS90-3F、90YS90-4F	138