

# 90JW/JB/80ZY115

允许转矩范围: 20N.m  
Permissible Load Range: 20N.m

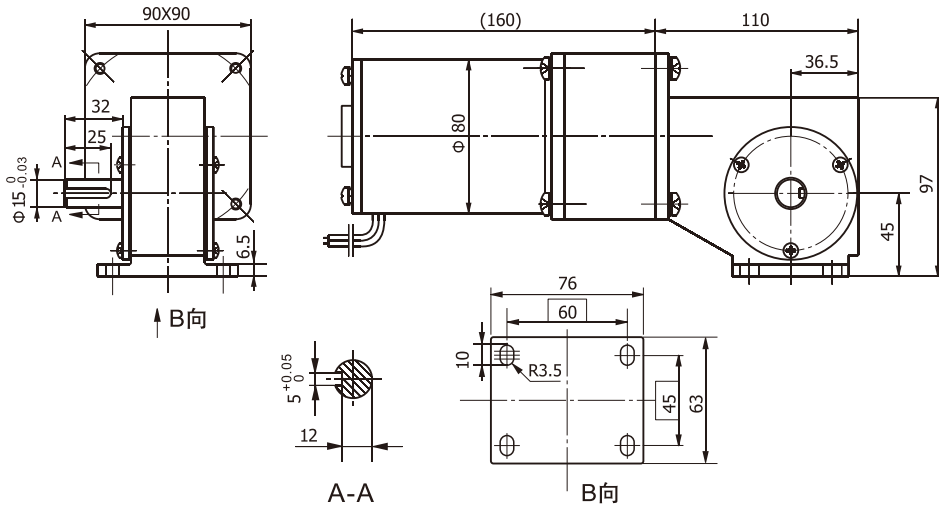
## 产品特点 and 用途 Description of The Product

混合配置型，在蜗轮减速器的前面配置了1:10的JB型的齿轮减速器，以增加总的传动比，获得更低的转速。总减速比是两种减速器减速比的乘积。

Mixed configuration, 1:10 eccentric shaft gearbox is equipped at the front of worm gearbox to increase total drive ratio and achieve lower speed. Total ratio equals to the product of the two gear ratios.



## 外形和安装尺寸 Dimensions



说明：产品出厂时左出轴是常规配置，如要求右出轴需在订货时特别说明。  
Remarks: Standard product is left output shaft, right output shaft is available upon request.

## 电动机主要技术参数 Motor Technical Data

电动机型号 TYPE	额定电压 Rated voltage VDC	空载转速 No-load speed r/min	空载电流 No-load current A	额定转速 Rated speed r/min	额定转矩 Rated speed N.m	输出功率 Output power W	额定电流 Rated current A	堵转转矩 Stall torque N.m	堵转电流 Stall current A
80ZY115-1225	12	2500	1.5	2000	0.4	84	10	1.5	30

## 齿轮减速电机主要技术参数 Gear Motor Technical Data

配置80ZY115-1225直流电机 (80ZY115-1225 DC motor)

减速比	Reduction ratio	125	160	250
蜗杆头数	Number of threads	2	2	1
空载转速	No-load speed r/min	20	16	10
额定转速	Rated speed r/min	16	13	8
额定转矩	Rated torque N.m	16	20	20
允许转矩	Permissible load N.m	40	40	40