

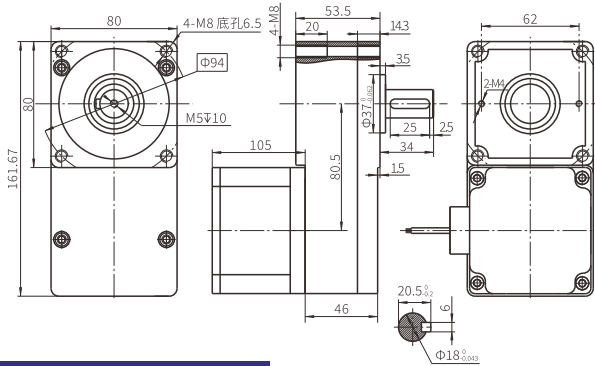
标准型齿轮无刷减速电机 BLDC Spur Gear Motor

80CJB1000K/80BL105

80CJB标准型减速器, 允许转矩范围: 2N.m~100N.m
80CJB Standard Gearbox,
Permissible Load Range: 2N.m~100N.m

外形和安装尺寸

Dimensions



无刷电动机主要技术参数

Brushless Motor Technical Data

电机型号 Type	极数 Number of poles	相数 Number of phase	额定电压 Rated Voltage VDC	空载转速 No-load Speed r/min	额定转速 Rated Speed r/min	额定转矩 Rated Torque N.m	额定功率 Rated Power W	额定电流 Rated Current A	峰值转矩 Peak Torque N.m	峰值电流 Peak Current A	电阻 Line to line resistance ohms	电感 Line to line inductance mH
80BL105-2440	10	3	24	4000	3000	0.96	300	15.63	1.91	31.25	0.07	0.27
80BL105-2447	10	3	24	4700	3900	0.86	350	18.23	1.71	36.46	0.05	0.17

无刷行星齿轮减速电机主要技术参数

Brushless Gear Motor Technical Data

配置80BL105-2440无刷直流电机(80BL105-2440 BLDC Motor)

减速比 Reduction ratio	5	10	15	20	30	50	100	150	200
减速级数 Number of gear trains	1	1	1	1	1	2	2	2	2
减速器长度(L) Length mm	53.5	53.5	53.5	53.5	53.5	53.5	53.5	53.5	53.5
空载速度 No-load speed r/min	800	400	267	200	133	80	40	27	20
额定转速 Rated speed r/min	600	300	200	150	100	60	30	20	15
额定转矩 Rated torque N.m	4.3	8.6	12.9	17.2	25.8	38.7	77.4	116.0	154.7
最大瞬间允许负载 Max. permissible load in a short time N.m	5	10	15	25	25	40	60	100	120

配置80BL105-2447无刷直流电机(80BL105-2447 BLDC Motor)

减速比 Reduction ratio	5	10	15	20	30	50	100	150	200
减速级数 Number of gear trains	1	1	1	1	1	2	2	2	2
减速器长度(L) Length mm	53.5	53.5	53.5	53.5	53.5	53.5	53.5	53.5	53.5
空载速度 No-load speed r/min	940	470	313	235	157	94	47	31	24
额定转速 Rated speed r/min	780	390	260	195	130	78	39	26	20
额定转矩 Rated torque N.m	3.9	7.7	11.6	15.4	23.1	34.7	69.4	104.1	138.8
最大瞬间允许负载 Max. permissible load in a short time N.m	5	10	15	25	25	40	60	100	120

接线方式

Wire Diagram

U	V	W	Vcc	Ha	Hb	Hc	GND
电机 Motor			霍尔 Hall				